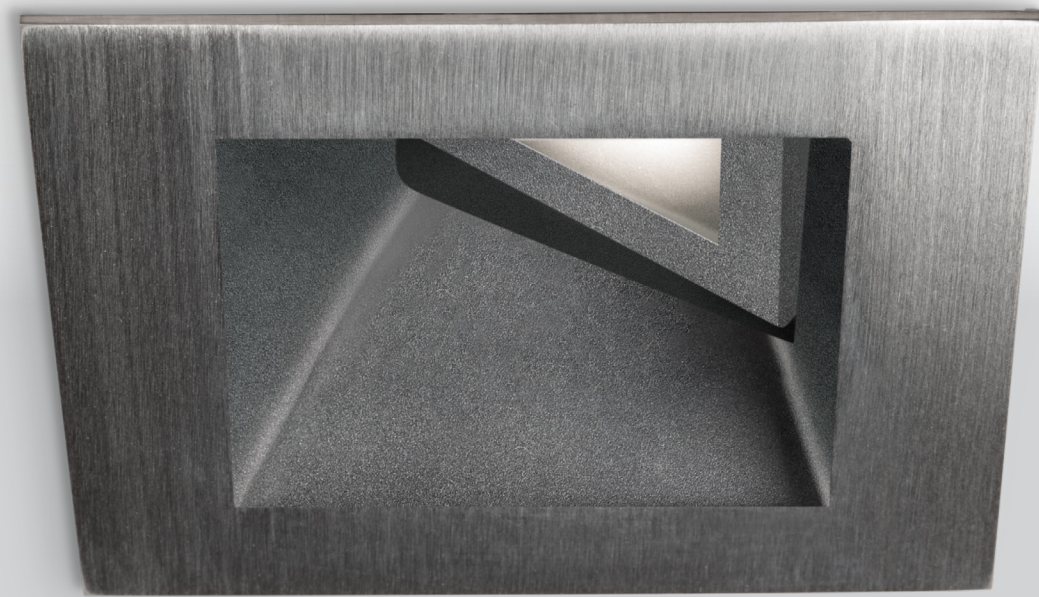


snow white



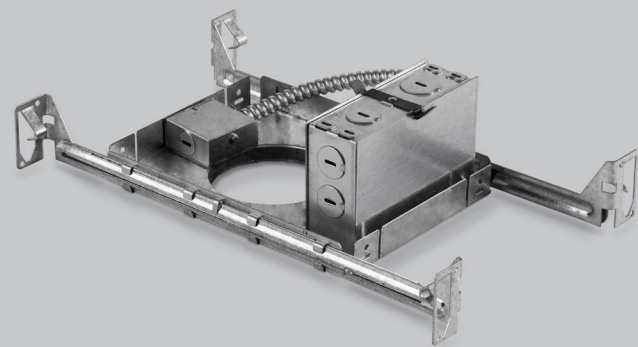
dark knight



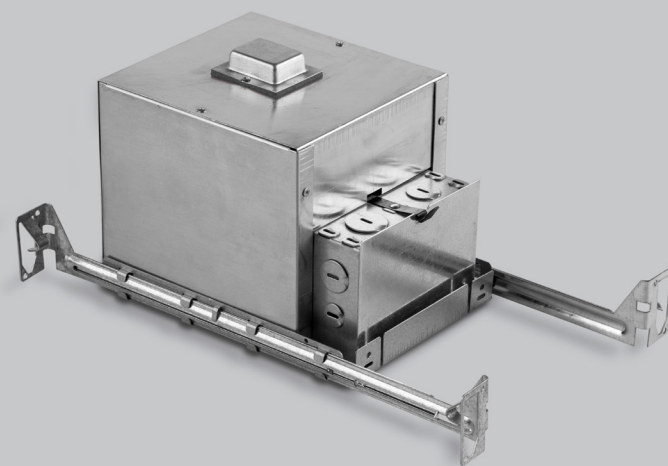


top grade

first class housings

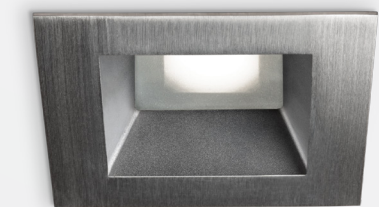


NEW CONSTRUCTION HOUSING
(1604 SERIES)



NEW CONSTRUCTION INSULATED CEILING HOUSING
(1804 SERIES)

Designed for use with our new high output LED module and architectural trims 1153AX and 1173AX.
Also compatible with selected existing trims.



ARCHITECTURAL GRADE TRIMS

Left row, top to bottom: 1153A, 1153AD, 1173A, 1173AD
Right row, top to bottom: 1153S, 1153SD, 1173S, 1173SD



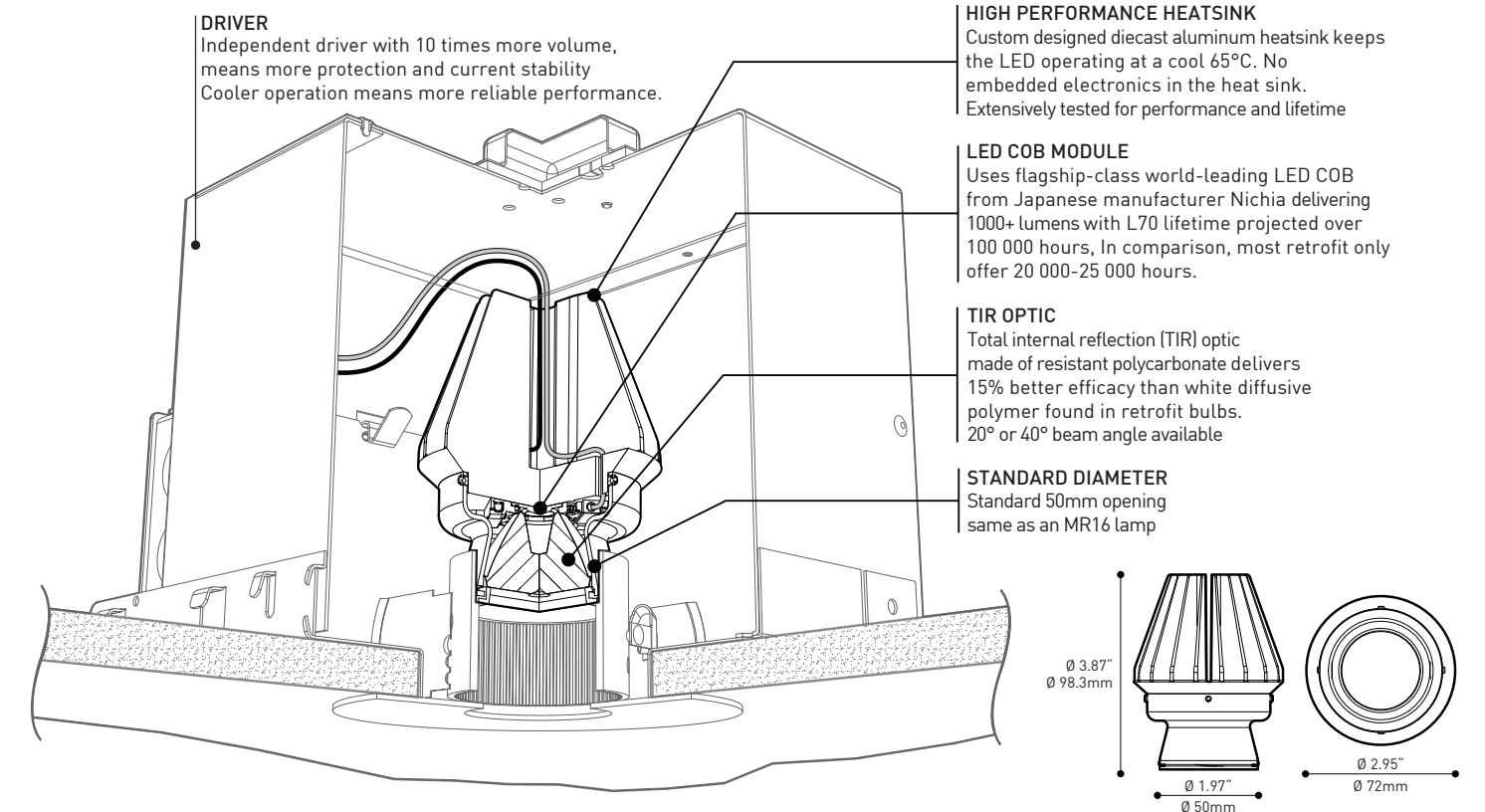
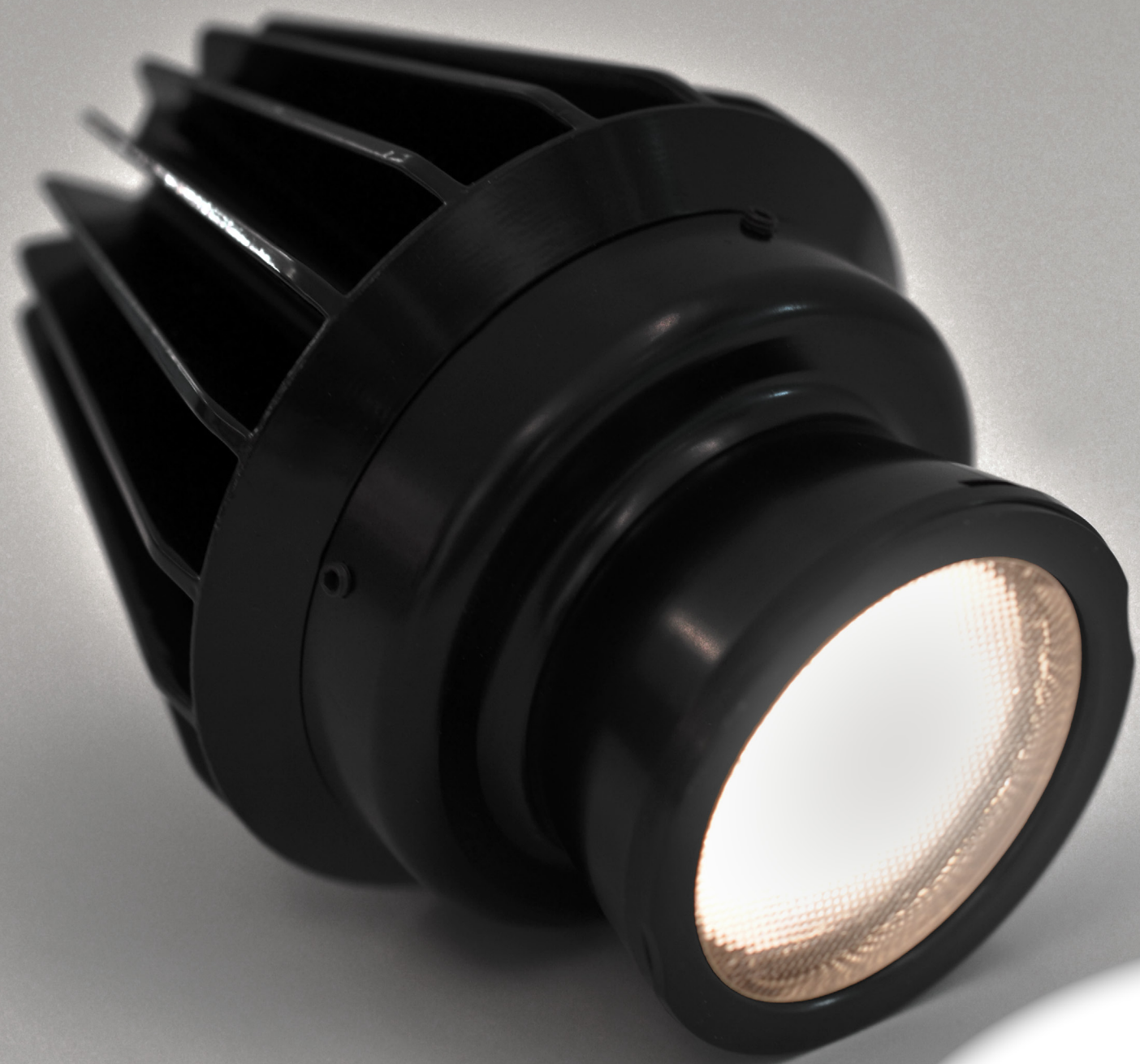
Anatomy

BIM

IES

LED

11W LED MODULE

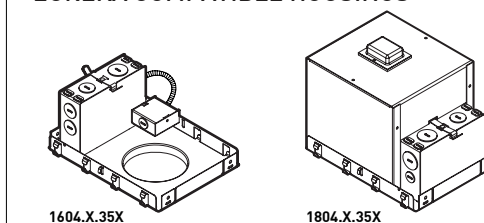


EUREKA COMPATIBLE TRIMS

1121A	1112AD	1173A
1181A	1153A	1173AD
1111A	1153AD	1173S
1151A	1153S	1173SD
1151S	1153SD	BASS*
1112A		MEGA BASS

* LIMITED ADJUSTMENT ANGLE

EUREKA COMPATIBLE HOUSINGS



Get the latest compatible trims & compatible housings lists by consulting the eureka website:

www.eurekalinghting.com

CHARACTERISTICS

CHARACTERISTICS	11w
LED EMITTER**	1x Nichia Chip On Board (COB) LED - 12.5W total system wattage
OPTICS	TIR - 20° & 40° beam angle
MODULE	UL recognized - Made in USA
LUMENS**	1425 [20°] delivered lumens / 1432 [40°] delivered lumens
EFFICACY	90 lumens / Watt
CRI	83 CRI typical
DRIVER (DIMMING)	(Phase dimming) 120V only ***
DRIVER (DIMMING)	[0-10V dimming] 120-277V ***
VOLTAGE	120V or 277V
L70 / LM-79	50 000 hrs / On request
CERTIFICATION / WARRANTY	C-UL-us / 5 years

** VALUES VALIDATED ON SSL LIGHTING FACTS LABELS. 1067 DELIVERED LUMENS WITH 40 DEGREES OPTIC. LUMENS MAY VARY WITH TRIM USED.
*** PLEASE CONSULT FACTORY FOR DIMMING & CONTROLLER OPTIONS.

game changer

1000 DELIVERED LUMENS

Let's cut to the chase - 1000 delivered lumens. *Boom!* This custom designed diecast aluminum heatsink was extensively tested for performance and lifetime and is offered in both 20° or 40° beam angle.

Photometric report

1153A.11.XX.20-BLKE

CCT (K): 4000
 Delivered Lumens (lm): 1178
 System wattage (W)*: 14.7
 Distribution: Direct
 Delivered Efficacy (lm/W): 80
 Photometric type: C

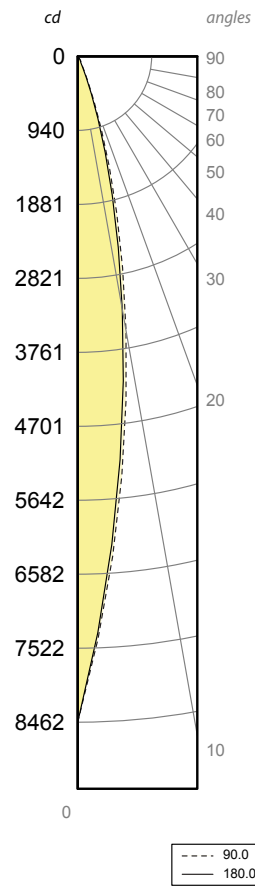
Luminous dimensions

Luminous shape: Rectangle
 Units: in (mm)
 0-180 Axis: 2.4 (60.96)
 90-270 Axis: 2.4 (60.96)
 Height: 2.4 (60.96)

Luminaire spacing criteria

2 luminaires, plane 0: 0.31
 2 luminaires, plane 90: 0.29
 4 luminaires: 0.35

*System wattage include driver and LED module consumption



1153A.11.XX.40-BLKE

CCT (K): 4000
 Delivered Lumens (lm): 1125
 System wattage (W)*: 14.7
 Distribution: Direct
 Delivered Efficacy (lm/W): 77
 Photometric type: C

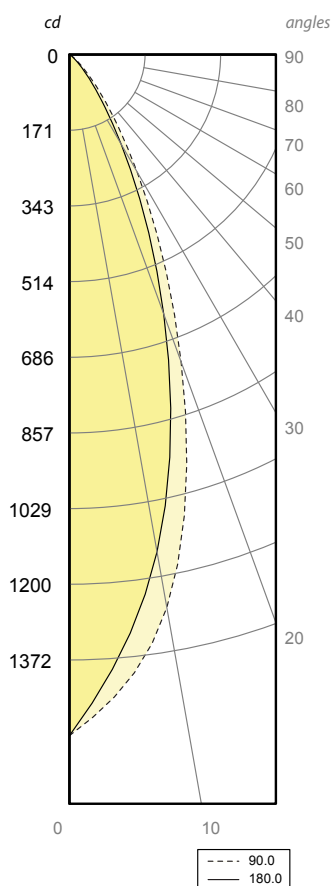
Luminous dimensions

Luminous shape: Rectangle
 Units: in (mm)
 0-180 Axis: 2.4 (60.96)
 90-270 Axis: 2.4 (60.96)
 Height: 2.4 (60.96)

Luminaire spacing criteria

2 luminaires, plane 0: 0.70
 2 luminaires, plane 90: 0.61
 4 luminaires: 0.66

*System wattage include driver and LED module consumption



Photometric report

1153A.11.XX.20-WHE

CCT (K): 4000
 Delivered Lumens (lm): 1179
 System wattage (W)*: 14.7
 Distribution: Direct
 Delivered Efficacy (lm/W): 76
 Photometric type: C

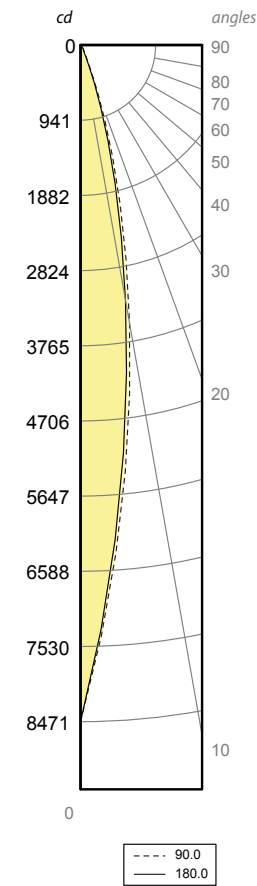
Luminous dimensions

Luminous shape: Rectangle
 Units: in (mm)
 0-180 Axis: 2.4 (60.96)
 90-270 Axis: 2.4 (60.96)
 Height: 2.4 (60.96)

Luminaire spacing criteria

2 luminaires, plane 0: 0.31
 2 luminaires, plane 90: 0.29
 4 luminaires: 0.35

*System wattage include driver and LED module consumption



1153A.11.XX.40-BLKE

CCT (K): 4000
 Delivered Lumens (lm): 1125
 System wattage (W)*: 14.7
 Distribution: Direct
 Delivered Efficacy (lm/W): 77
 Photometric type: C

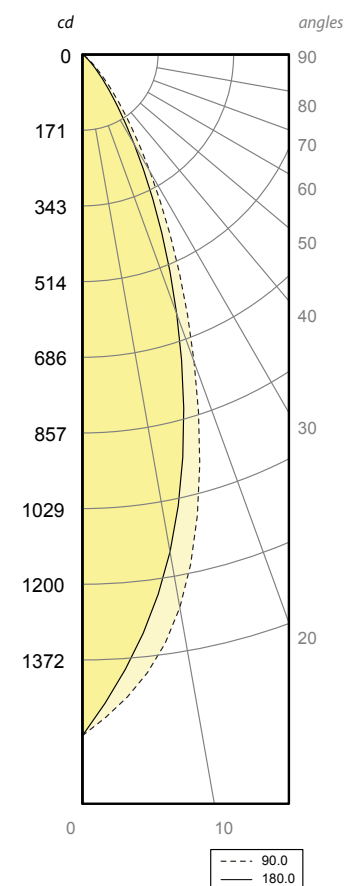
Luminous dimensions

Luminous shape: Rectangle
 Units: in (mm)
 0-180 Axis: 2.4 (60.96)
 90-270 Axis: 2.4 (60.96)
 Height: 2.4 (60.96)

Luminaire spacing criteria

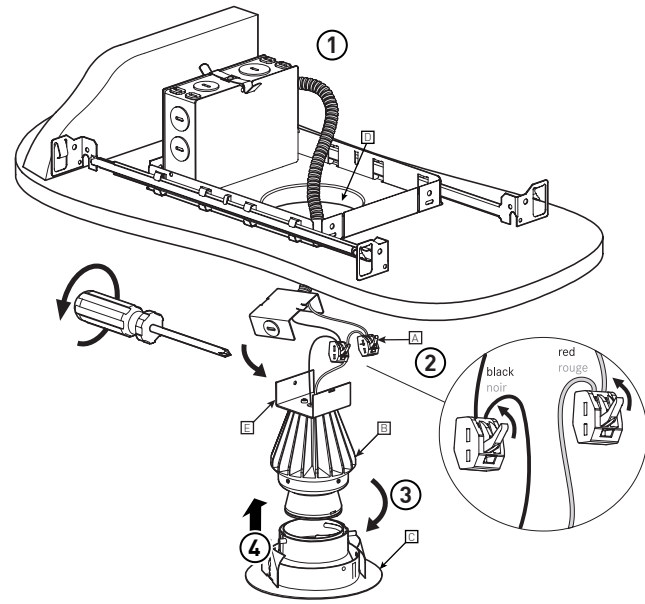
2 luminaires, plane 0: 0.70
 2 luminaires, plane 90: 0.61
 4 luminaires: 0.66

*System wattage include driver and LED module consumption



Installation Instructions

LED.11.XX.XX with 1604-9.35X housing LED.11.XX.XX avec boîtier 1604-9.35X



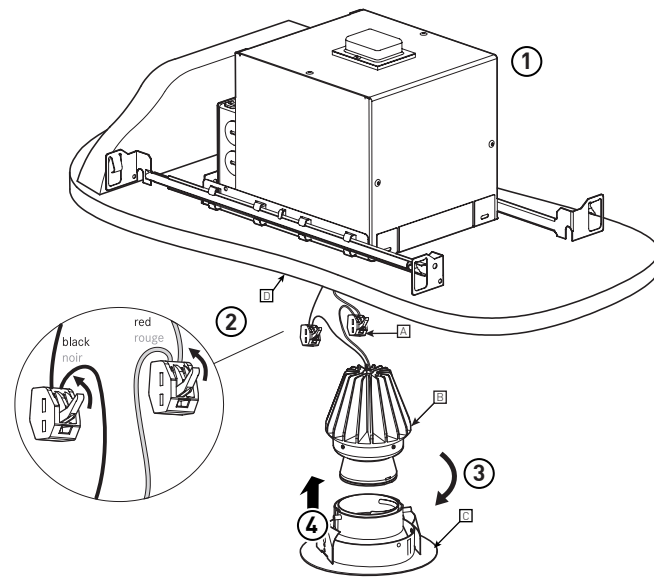
INSTALLATION

- 1- INSTALL HOUSING FOLLOWING THE APPROPRIATE INSTRUCTIONS.
- 2- CONNECT THE WIRES AND USE SCREW DRIVER TO CLOSE THE MINI BOX [E].
- 3- SNAP THE LED MODULE [B] ONTO THE TRIM [C] USING THE SPRING CLIP.
- 4- PRESS-FIT THE TRIM INTO THE HOUSING CAN [D].

MAINTENANCE

- A- REMOVE TRIM [C] FROM THE CEILING. REMOVE THE LED MODULE [B] & DISCONNECT WIRES FROM THE CONNECTORS [A].
- B- REPEAT STEPS 1-3 TO REPLACE NEW LED MODULE [B].

LED.11.XX.XX with 1804-9.35X housing LED.11.XX.XX avec boîtier 1804-9.35X



INSTALLATION

- 1- INSTALL HOUSING FOLLOWING THE APPROPRIATE INSTRUCTIONS.
- 2- INSERT THE WIRES IN THE CONNECTORS [A], THEN CLOSE THE CONNECTOR LEVERS.
- 3- SNAP THE LED MODULE [B] ONTO THE TRIM [C] USING THE SPRING CLIP.
- 4- PRESS-FIT THE TRIM INTO THE HOUSING CAN [D].

MAINTENANCE

- A- REMOVE TRIM [C] FROM THE CEILING. REMOVE THE LED MODULE [B] & DISCONNECT WIRES FROM THE CONNECTORS [A].
- B- REPEAT STEPS 1-3 TO REPLACE NEW LED MODULE [B].

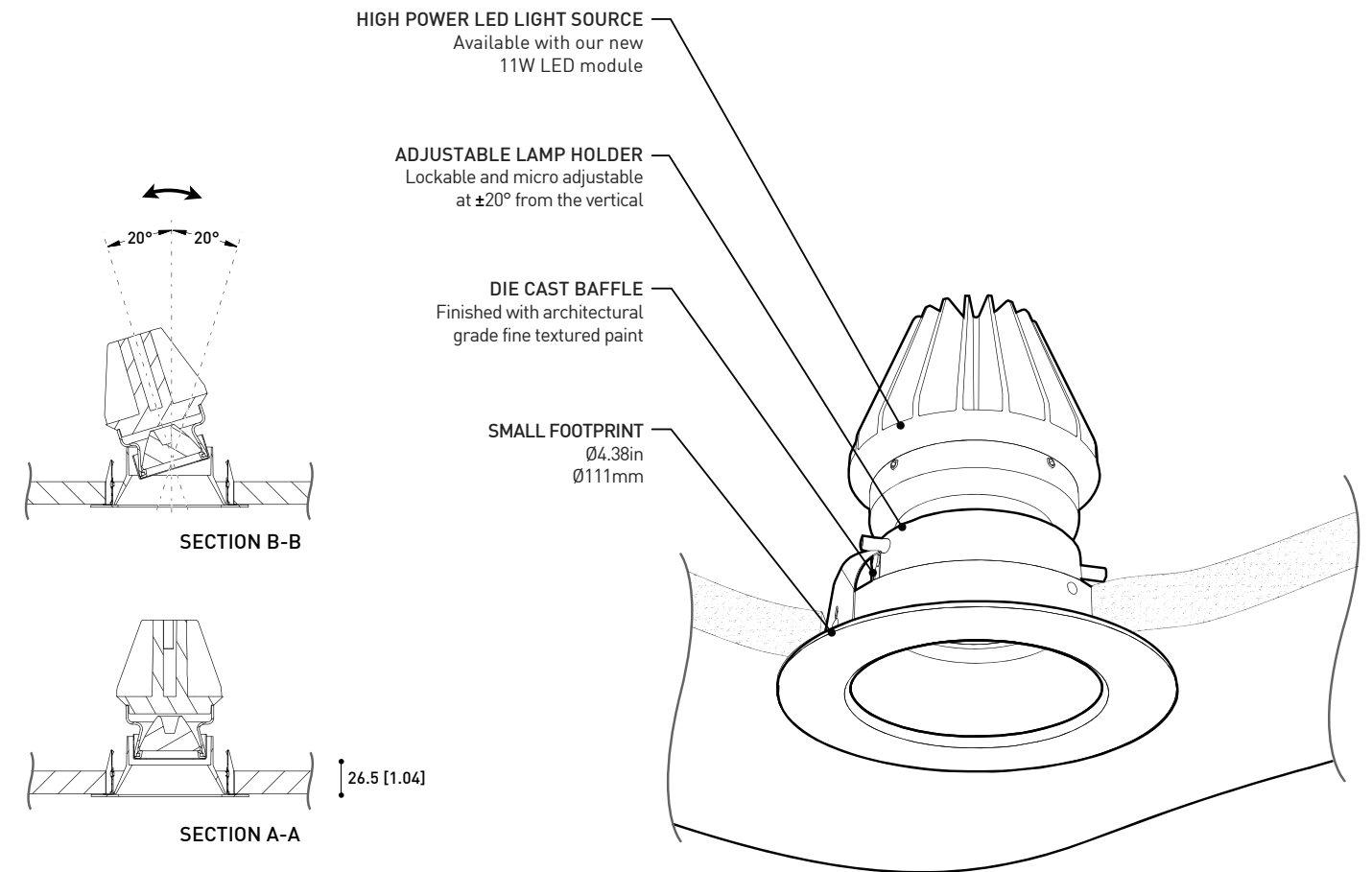
Anatomy

BIM

IES

LED

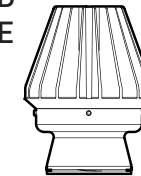
1153A



AVAILABLE WITH:

11W LED MODULE

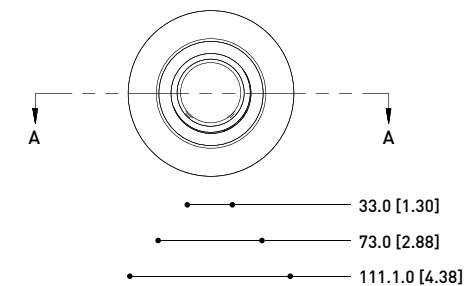
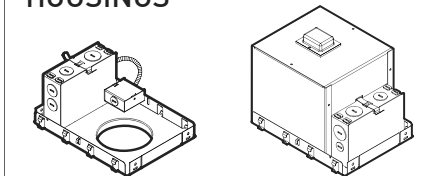
LED.11.XX.XX



HOUSINGS

1604.X.35

1804.X.35



SPECIFICATIONS

TRIM
BAFFLE
ORIENTATION
LED LIGHT SOURCE
OTHER LIGHT SOURCE
HOUSINGS

CUTTING HOLE

1153A

Die formed steel available in satin chrome, chrome, black or white architectural grade fine textured finishes

Die cast aluminum available in satin aluminum, black or white architectural grade fine textured finishes

Downlight with aiming angle of $\pm 20^\circ$, micro adjustable and lockable

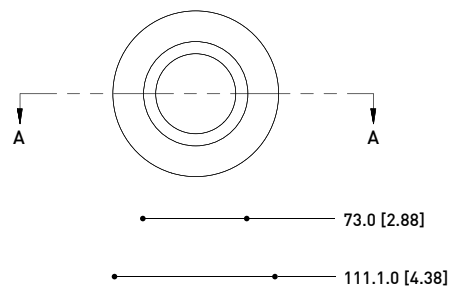
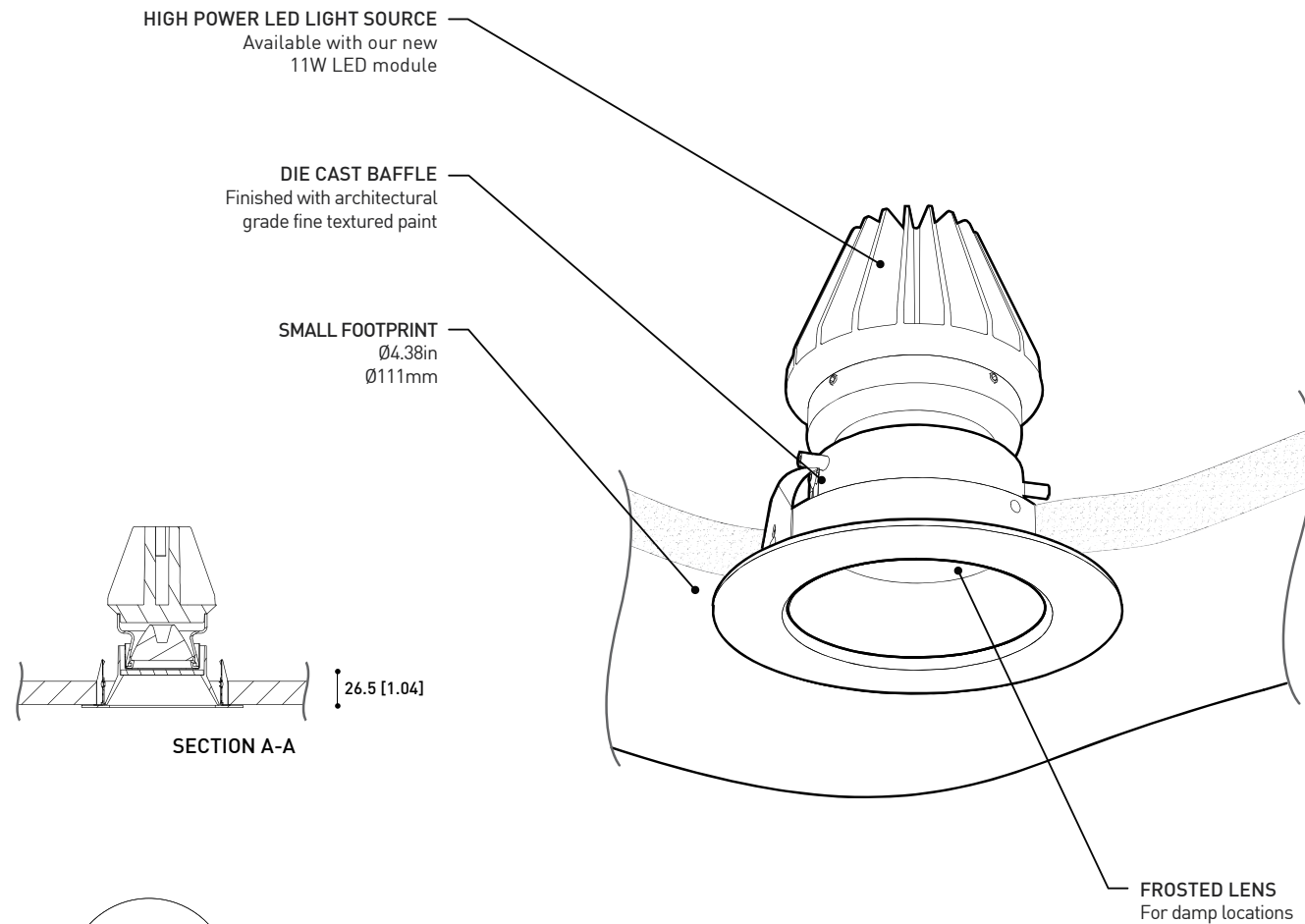
11W LED module - 1x Nichia (COB) - 14w total system wattage

Also available for MR16 LED BULBS max 18W

1604.X.35S - new construction

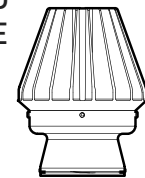
1804.X.35S - new construction insulated ceiling (IC)

Ø3,5"



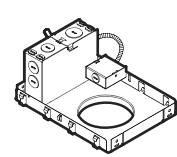
AVAILABLE WITH:

11W LED MODULE

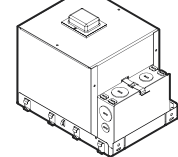


LED.11.XX.XX

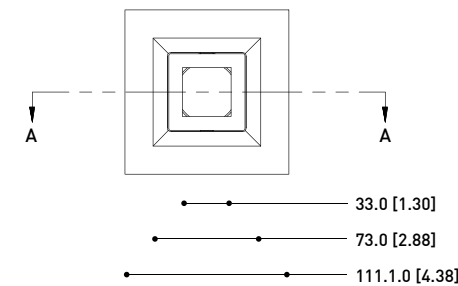
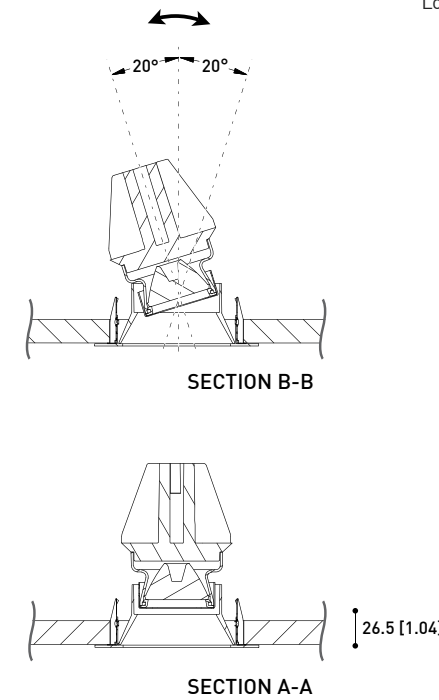
HOUSINGS



1604.X.355

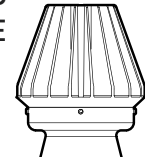


1804.X.355



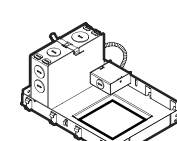
AVAILABLE WITH:

11W LED MODULE

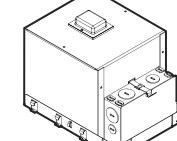


LED.11.XX.XX

HOUSINGS



1604.X.355



1804.X.355

SPECIFICATIONS

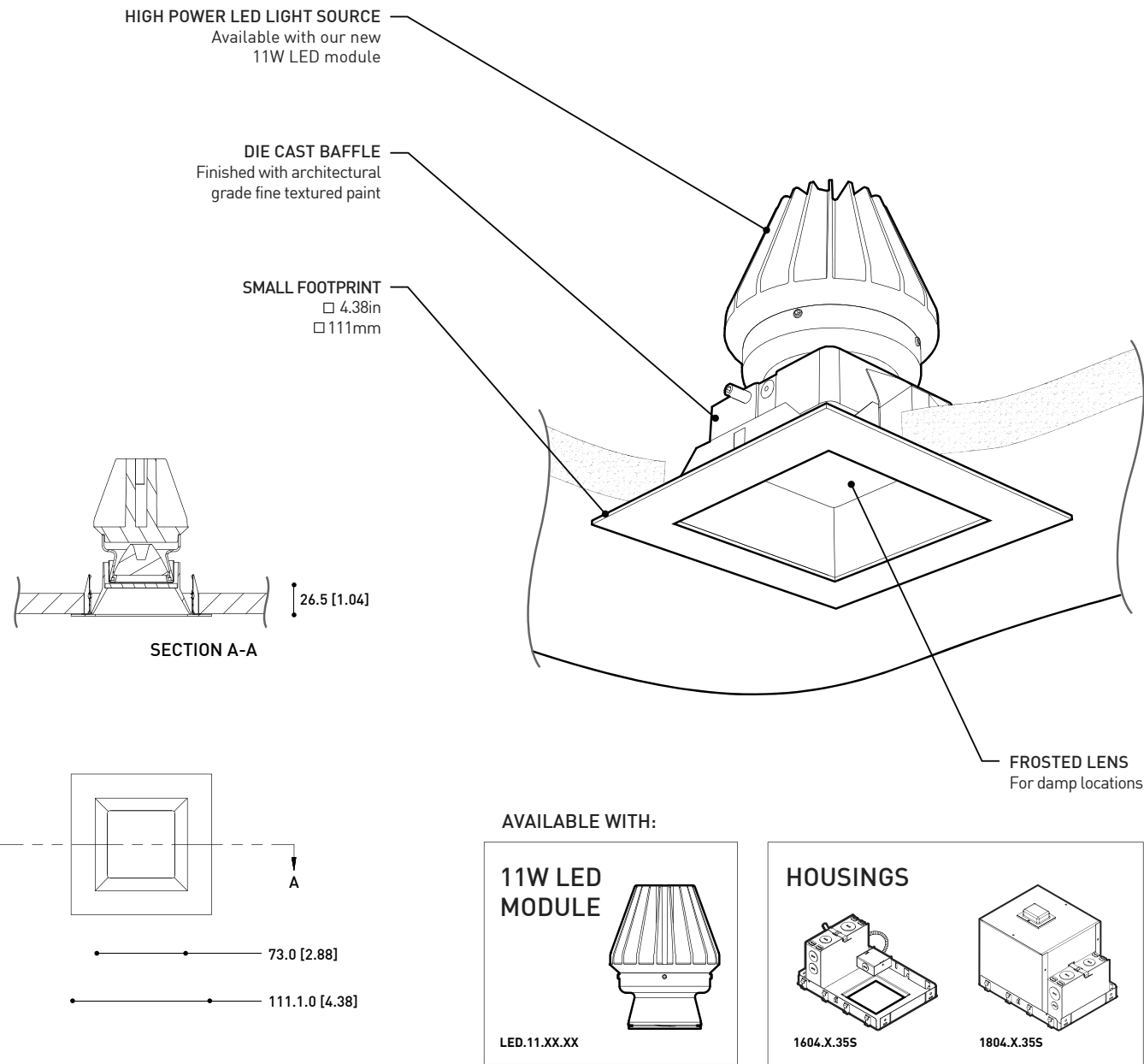
1153AD

TRIM	Die formed steel available in satin chrome, chrome, black or white architectural grade fine textured finishes
BAFFLE	Die cast aluminum available in satin aluminum, black or white architectural grade fine textured finishes
ORIENTATION	Downlight with aiming angle of $\pm 20^\circ$, micro adjustable and lockable
LENS	Frosted finish with silicon gasket suitable for damp locations
LED LIGHT SOURCE	11W LED module - 1x Nichia Chip On Board (COB) NSBLL066A - 14w total system wattage
OTHER LIGHT SOURCE	Also available for MR16 LED BULBS max 18W
HOUSINGS	1604.X.355 - new construction 1804.X.355 - new construction insulated ceiling (IC)
CUTTING HOLE	Ø3,5"

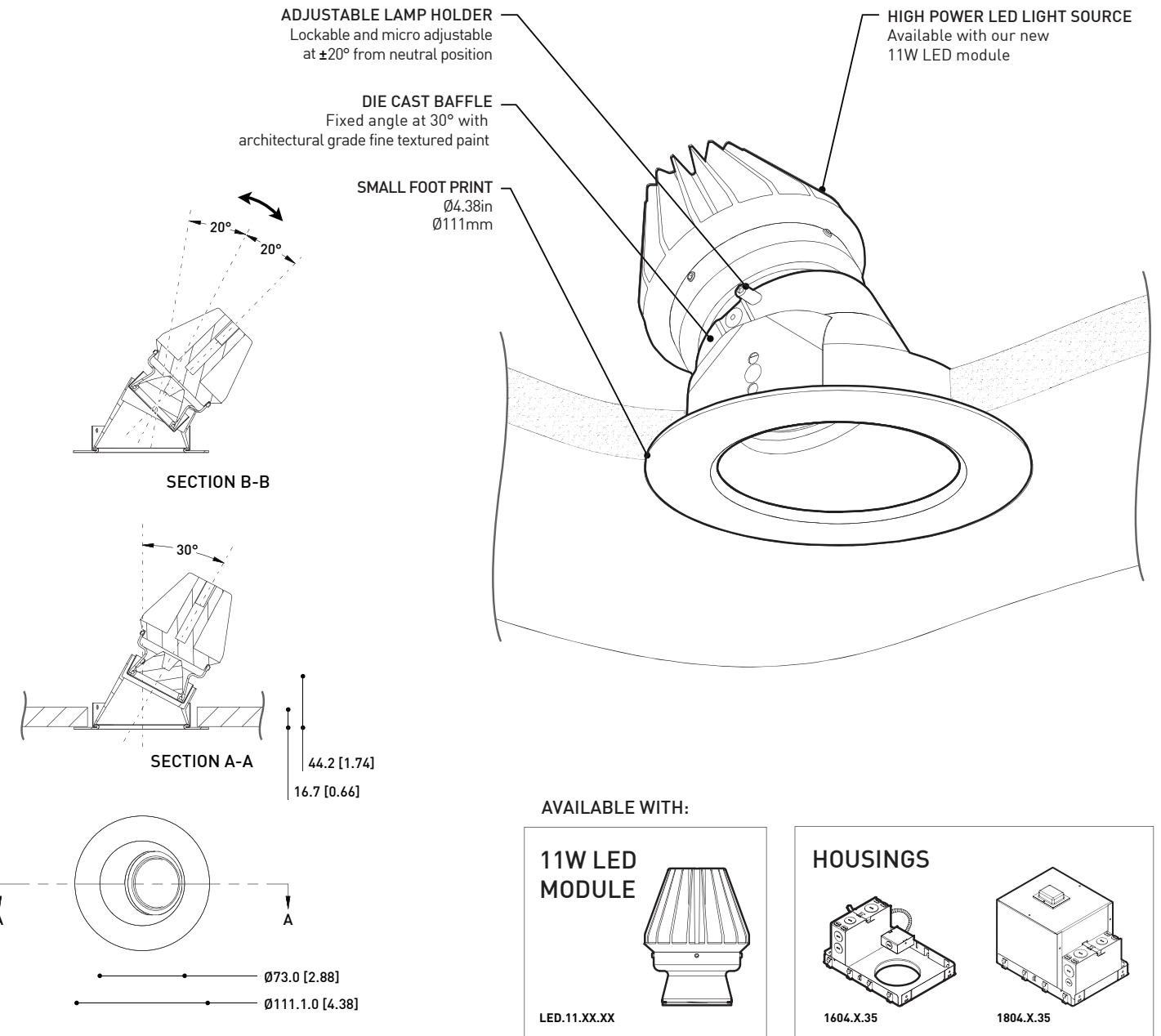
SPECIFICATIONS

1153S

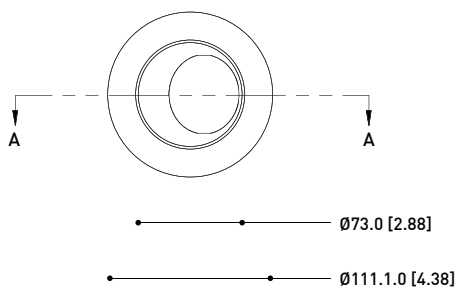
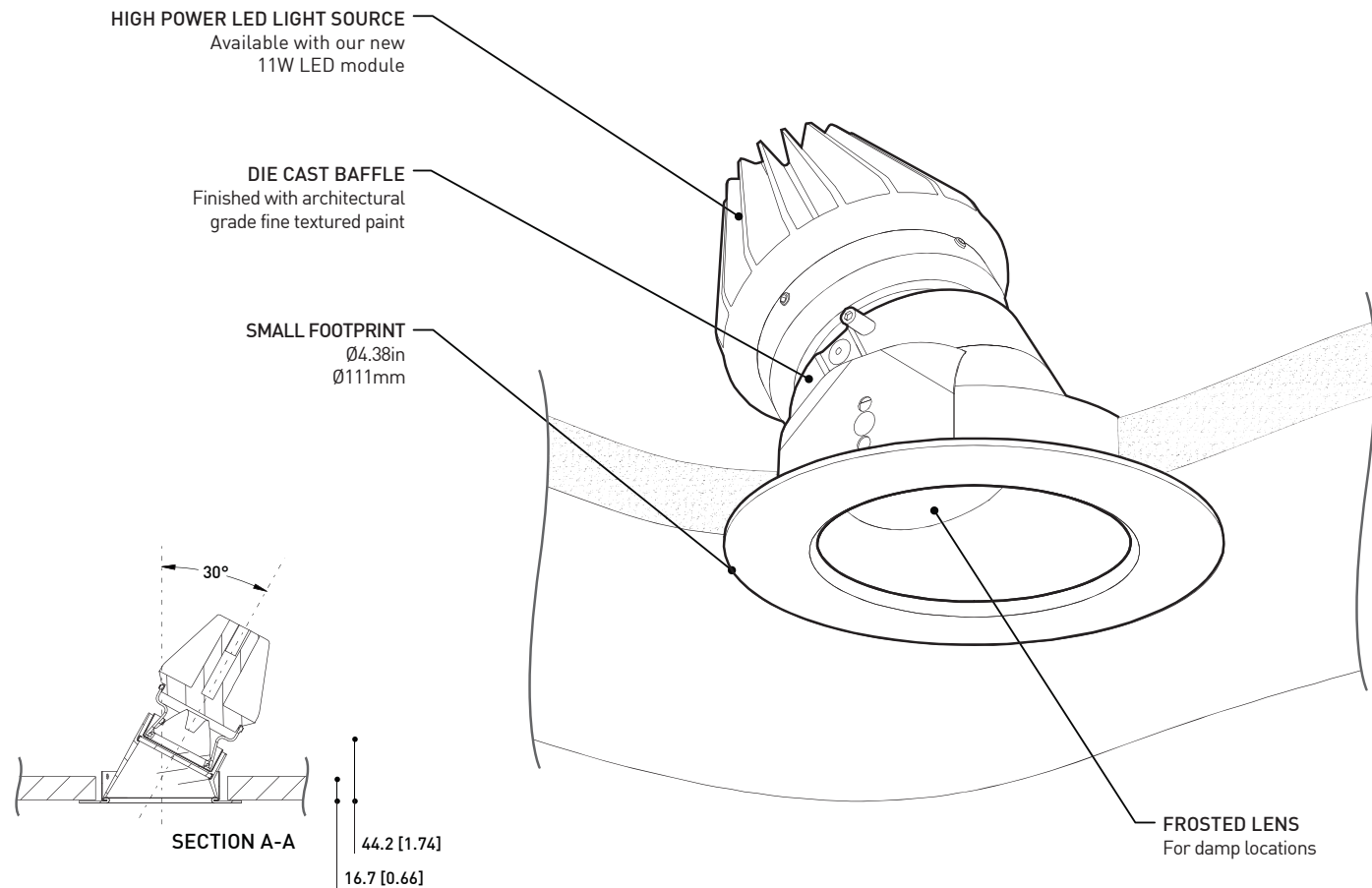
TRIM	Die formed steel available in satin chrome, chrome, black or white architectural grade fine textured finishes
BAFFLE	Die cast aluminum available in satin aluminum, black or white architectural grade fine textured finishes
ORIENTATION	Downlight with aiming angle of $\pm 20^\circ$, micro adjustable and lockable
LED LIGHT SOURCE	11W LED module - 1x Nichia Chip On Board (COB) NSBLL066A - 14w total system wattage
OTHER LIGHT SOURCE	Also available for MR16 LED BULBS max 18W
HOUSINGS	1604.X.355 - new construction 1804.X.355 - new construction insulated ceiling (IC)
CUTTING HOLE	3,5" x 3,5" square hole



SPECIFICATIONS	1153SD
TRIM	Die formed steel available in satin chrome, chrome, black or white architectural grade fine textured finishes
BAFFLE	Die cast aluminum available in satin aluminum, black or white architectural grade fine textured finishes
ORIENTATION	Downlight with aiming angle of $\pm 20^\circ$, micro adjustable and lockable
LENS	Frosted finish with silicon gasket suitable for damp locations
LED LIGHT SOURCE	11W LED module - 1x Nichia Chip On Board (COB) NSBLL066A - 14w total system wattage
OTHER LIGHT SOURCE	Also available for MR16 LED BULBS max 18W
HOUSINGS	1604.X.355 - new construction 1804.X.355 - new construction insulated ceiling (IC)
CUTTING HOLE	3,5" x 3,5" square hole

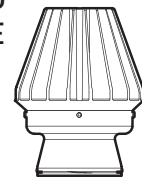


SPÉCIFICATIONS	1173A
TRIM	Die formed steel available in satin chrome, chrome, black or white architectural grade fine textured finishes
BAFFLE	Die cast aluminum available in satin aluminum, black or white architectural grade fine textured finishes
ORIENTATION	Fixed angle of 30° with $\pm 20^\circ$ from neutral position micro adjustable and lockable
LED LIGHT SOURCE	11W LED MODULE- 1x Nichia Chip On Board (COB) NSBLL066A - 14w total wattage system
OTHER LIGHT SOURCE	Also available for MR16 LED LAMP max 18W
HOUSINGS	1604.X.35 - new construction 1804.X.35 - new construction isolated ceiling (IC)
PERFORATION	Ø3,5"



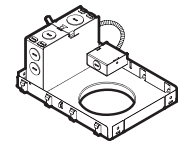
AVAILABLE WITH:

11W LED MODULE

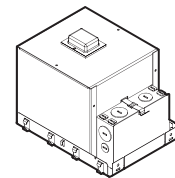


LED.11.XX.XX

HOUSINGS



1604.X.35

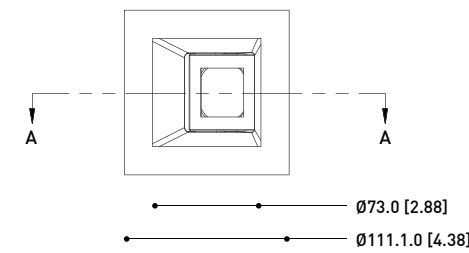
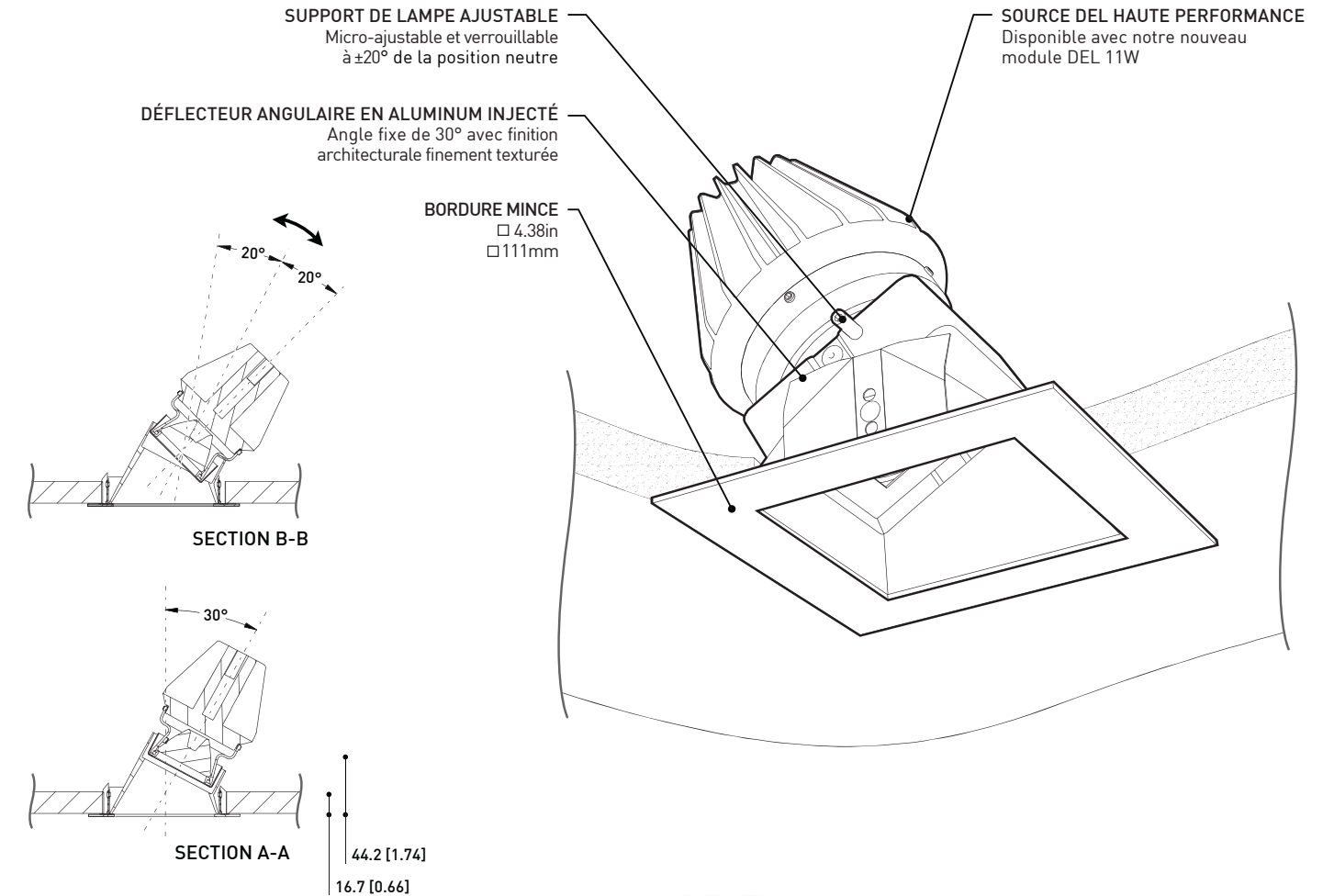


1804.X.35

SPECIFICATIONS

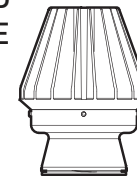
1173AD

TRIM	Die formed steel available in satin chrome, chrome, black of white architectural grade fine textured finishes
BAFFLE	Die cast aluminum available in satin aluminum, black or white architectural grade fine textured finishes
LENS	Frosted finish with a silicon gasket suitable for damp locations
ORIENTATION	30° fixed angle
LED LIGHT SOURCE	11W LED module - 1x Nichia Chip On Board (COB) NSBLL066A - 14w total system wattage
OTHER LIGHT SOURCE	Also available for MR16 LED BULBS max 18W
HOUSINGS	1604.X.35S - new construction 1804.X.35S - new construction insulated ceiling (IC)
CUTTING HOLE	Ø 3,5" hole



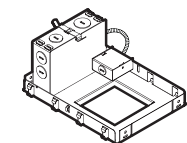
AVAILABLE WITH:

11W LED MODULE

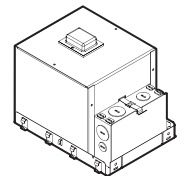


LED.11.XX.XX

HOUSINGS



1604.X.35S

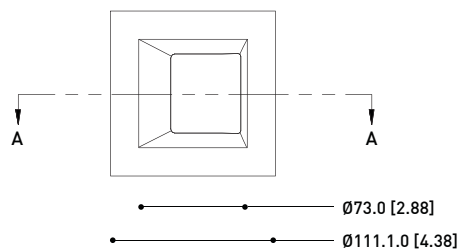
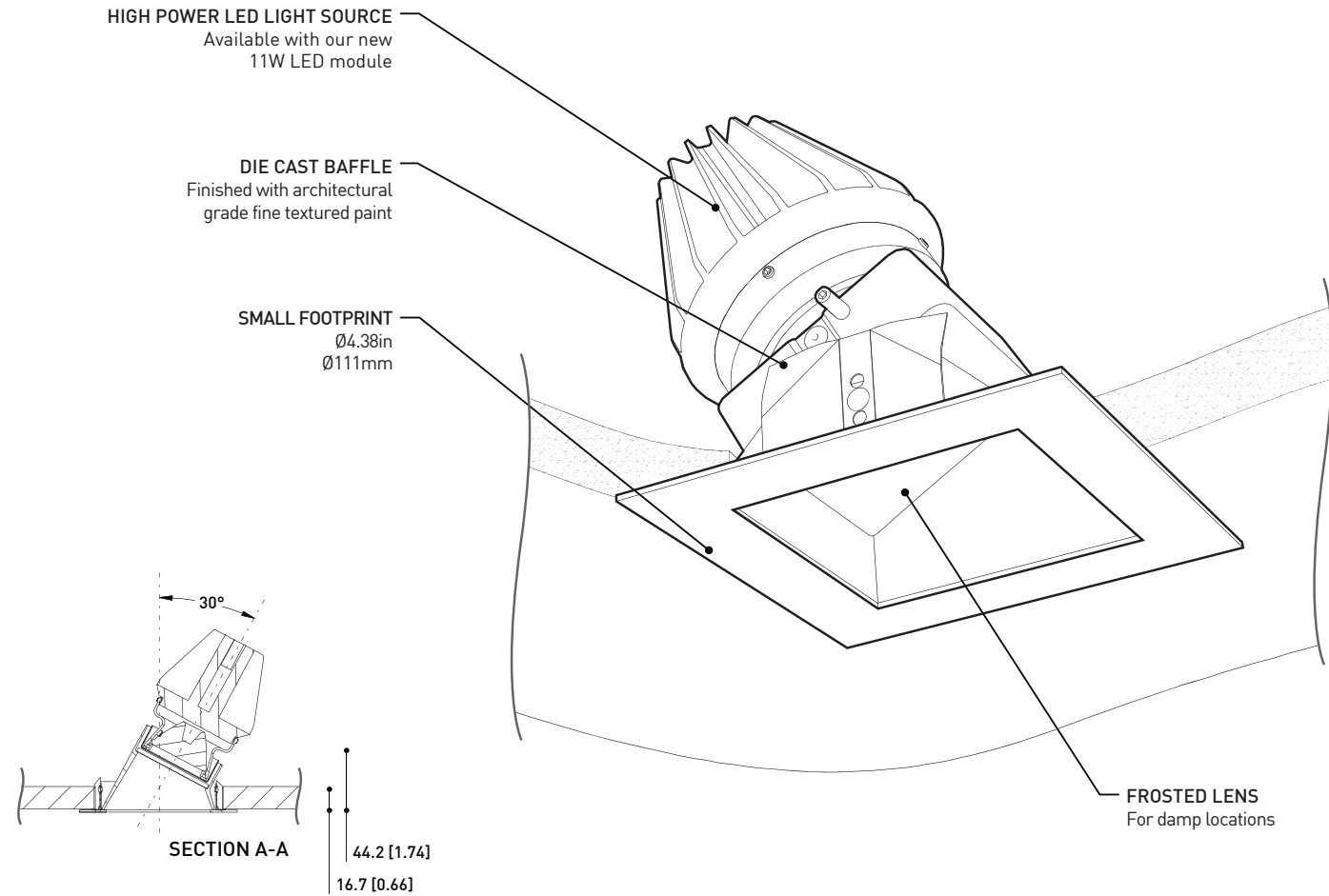


1804.X.35S

SPÉCIFICATIONS

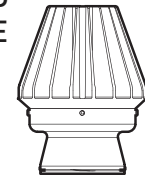
1173S

TRIM	Die formed steel available in satin chrome, chrome, black of white architectural grade fine textured finishes
BAFFLE	Die cast aluminum available in satin aluminum, black or white architectural grade fine textured finishes
ORIENTATION	Fixed angle of 30° with ±20° from neutral position micro adjustable and lockable
LED LIGHT SOURCE	11W LED MODULE- 1x Nichia Chip On Board (COB) NSBLL066A - 14w total wattage system
OTHER LIGHT SOURCE	Also available for MR16 LED LAMP max 18W
HOUSINGS	1604.X.35 - new construction 1804.X.35 - new construction isolated ceiling (IC)
PERFORATION	3,5" x 3,5" square hole

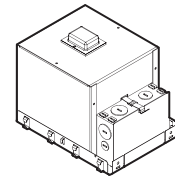
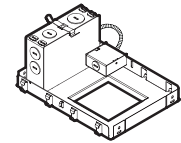


AVAILABLE WITH:

11W LED MODULE



HOUSINGS



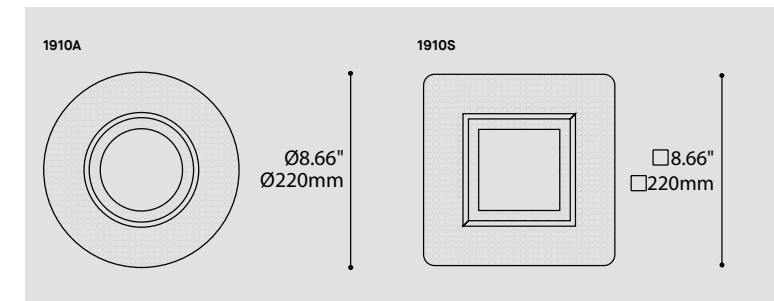
SPECIFICATIONS

1173SD

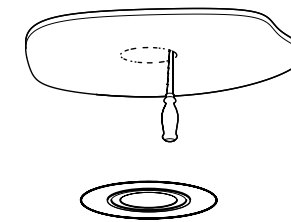
TRIM	Die formed steel available in satin chrome, chrome, black or white architectural grade fine textured finishes
BAFFLE	Die cast aluminum available in satin aluminum, black or white architectural grade fine textured finishes
LENS	Frosted finish with silicon gasket suitable for damp locations
ORIENTATION	30° fixed angle
LED LIGHT SOURCE	11W LED module - 1x Nichia Chip On Board (COB) NSBLL066A - 14w total system wattage
OTHER LIGHT SOURCE	Also available for MR16 LED BULBS max 18W
HOUSINGS	1604.X.35S - new construction 1804.X.35S - new construction insulated ceiling (IC)
CUTTING HOLE	3,5" x 3,5" square hole

For a clean look without the hassle of a trim-less installation, this accessory allows the trims to be completely flush with the ceiling surface. When using this accessory, trims are easily removed for servicing or re-lamping without any damage to the finished ceiling. The clever design is easy to install and is delivered with a cardboard insert to ensure perfect plastering every time. The Flush™ mounting accessory comes in two shapes so it can be fitted to all A (round) and S (square) style flat trims and will function with all housings.

Pour un effet épuré, cet accessoire de montage élimine les cadres visibles et s'installe rapidement et simplement au niveau avec le plafond. Lors de la maintenance ou du remplacement de l'ampoule, les encastrés se décrochent doucement sans abîmer le fini du plafond. Ce concept astucieux est simple à installer et est livré avec un protecteur de carton anti-plâtre, poussière et peinture afin d'assurer un fini lisse à chaque fois. L'accessoire Flush™ est disponible en deux formes : ronde (A) ou carrée (S) et s'adapte à tous les types de boîtiers d'encastrés.



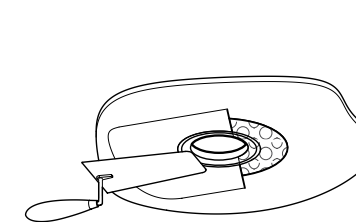
STEP 1 ÉTAPE 1



- Determine housing position and cut hole
- Remove tape backing paper
- Align inside edge of Flush™ mounting accessory to hole and stick in place

- Déterminer le positionnement de l'encastré et percer l'ouverture
- Retirer la doublure du ruban
- Aligner la bordure intérieure de l'accessoire de montage Flush™ à l'ouverture et fixer en place

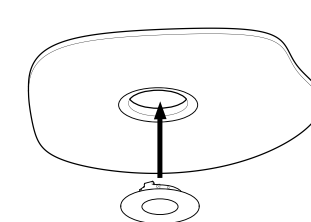
STEP 2 ÉTAPE 2



- Plaster over Flush™ mounting accessory
- If cardboard protector is missing, be careful not to fill past raised border

- Plâtrer par-dessus l'accessoire de montage Flush™
- Si le protecteur de carton est absent, ne pas plâtrer plus loin que la bordure surélevée

STEP 3 ÉTAPE 3



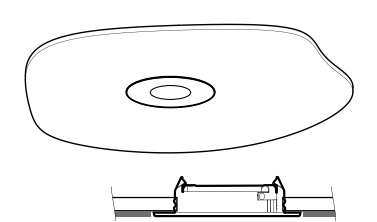
- Insert housing into hole and tighten mounting clip screws
- Housing will automatically position and secure itself in position
- Install lamp and trim

- Series 1500 / 1700 / 1800
- Drop and align can with ceiling line
- Tighten mounting clip screws
- Install lamp and trim

- Séries 1500
- Insérer le boîtier dans l'ouverture et serrer les vis de montage
- Le boîtier se positionnera automatiquement
- Installer l'ampoule et la garniture

- Séries 1600 / 1700 / 1800
- Baisser le caisson pour l'aligner de niveau avec le plafond
- Serrer les vis de montage
- Installer l'ampoule et la garniture

STEP 4 ÉTAPE 4



- Trim is flush with ceiling surface
- L'encastré est au niveau avec le plafond



THE
HIGH LINE

 EUREKA